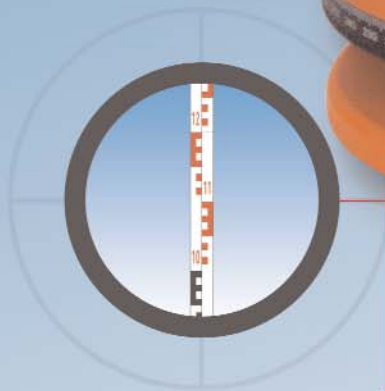
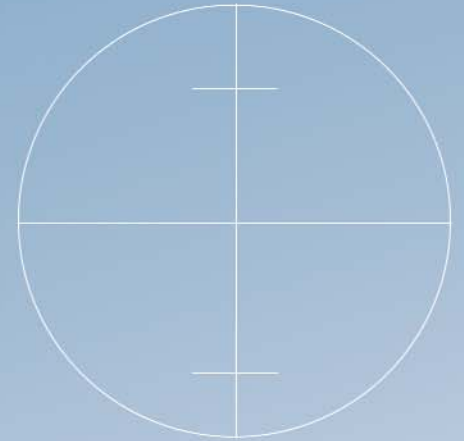


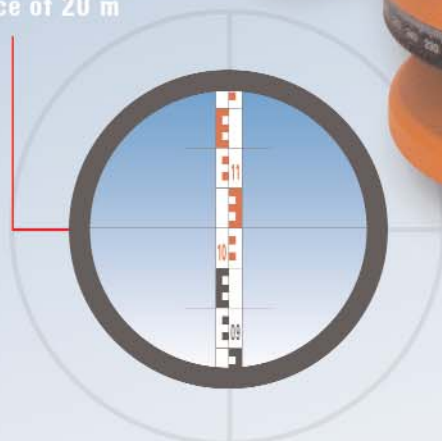
Automatic

Builder's Level X20/X24

Easy to handle and very robust automatic builder's levels with 20x and 24x magnification



Schematic view (original size) of a levelling rod from a distance of 20 m



®

**Precise surveying
and measuring**

Automatic Builder's Level X20



Automatic Builder's Level X24



Technical Data

	X20 (400gon)	X24 (400gon)
Optics	upright	upright
Magnification	20x	24x
Lens diameter	30 mm	36 mm
Shortest target distance	0.6 m	0.6 m
Multiplication factor	100	100
Compensator operating range	± 15'	± 15'
Adjusting accuracy	± 0.5"	± 0.5"
Circular graduation	400 gon	400 gon
Sensitivity of circular bubble	8'/2 mm	8'/2 mm
Standard deviation for 1 km double-run levelling	± 2.5 mm	± 2.0 mm
Weight	1.7 kg	1.7 kg
Connecting thread	5/8"	5/8"
Order-No.	460 770-613	460 745-613



The levels X20 and X24 are also available as a kit, including a 5 m telescopic levelling staff and an aluminium tripod.

Kit X20 Order-No. 462 205
including Level X20
Telescopic levelling staff 345 115-620
(British E-Block scales available)
Aluminium tripod 200 210-620

Kit X24 Order-No. 462 245
including Level X24
Telescopic levelling staff 345 115-620
(British E-Block scales available)
Aluminium tripod 200 210-620



**Precise surveying
and measuring**

Nedo GmbH & Co. KG
Hochgerichtstrasse 39 - 43 72280 Dornstetten
Germany
Phone: +49/7443/2401-0
Fax: +49/7443/2401-45
www.nedo.com E-Mail: info@nedo.com

Your Nedo Distributor